

UL Approved Multi Function Rocker

## Specifications

Switch Function	SPST, SPDT	Dielectric Strength	1500Vrms min
Electrical Ratings	15A @ 125VAC 8A @ 250VAC	Insulation Resistance	>100MΩ min
Electrical Life	10,000 cycles typical	Operating Temperature	-40°C to 85°C
Contact Resistance	<50mΩ initial	Storage Temperature	-40°C to 85°C
		Sealing Degree	IP40 IP65 with Sealing Boot

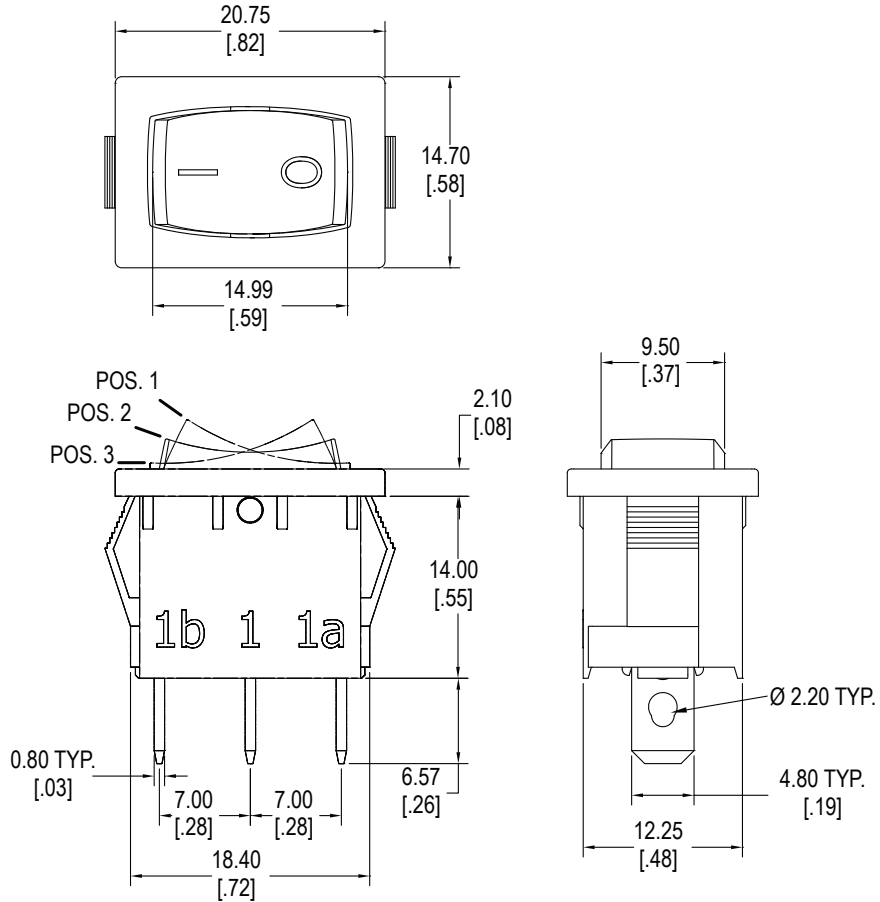
## Materials

Actuator	6/6 Nylon
Housing	6/6 Nylon
Contacts	Silver Alloy
Terminals	Brass, Silver Plated

## Ordering Information

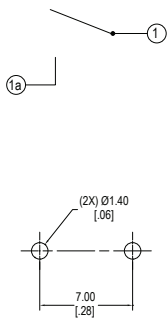
1. Series	RA	1	1	2	2	C	W	C
RA								
2. Number of Poles 1 = Single pole								
3. Switch Function 1 = OFF - ON **LED only available with this function 2 = OFF - (ON) 3 = (OFF) - ON 4 = ON - ON 5 = ON - (ON) 6 = ON - OFF - ON 7 = (ON) - OFF - (ON) 8 = ON - OFF - (ON)								
4. Housing Color 1 = White 2 = Black 9 = Gray								
5. Actuator Color 1 = White 2 = Black 3 = Red 6 = Orange 7 = Blue 9 = Gray								
6. Actuator Marking: A B C D E F G H I J K L M X **X marking used with LED only								
7. Actuator Marking Color Blank = No Marking **Use this option for X actuator marking (LED) B = Black W = White R = Red								
8. Terminal Options C = .187" Quick connect / solder lug P = PC pins R = Right angle PC pins **Not available with LED option L = Left angle PC pins **Not available with LED option								
9. LED Options (for use with ON - OFF function & X actuator marking only) Blank = No LED R = Red Y = Yellow G = Green B = Blue								

**Dimensions**

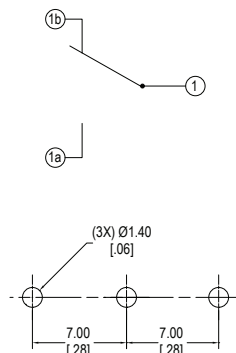


**Schematics & PC Layout**

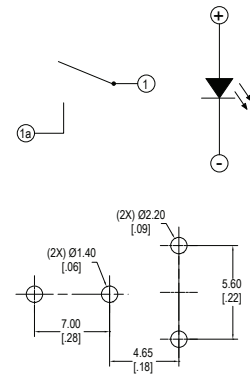
Single Pole Single Throw



Single Pole Double Throw



Single Pole Single Throw with LED

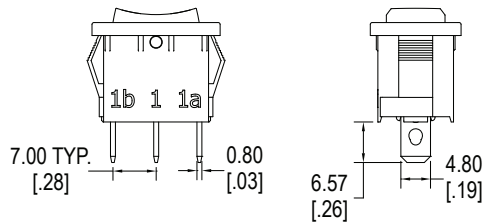


### Actuator Marking Options

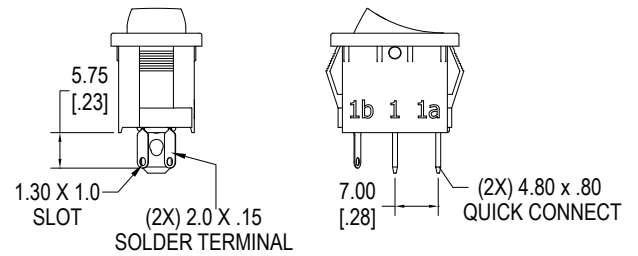
<p>A Style</p>	<p>B Style</p>	<p>C Style</p>	<p>D Style</p>	<p>E Style</p>	<p>F Style</p>	<p>G Style</p>
<p>H Style</p>	<p>I Style</p>	<p>J Style</p>	<p>K Style</p>	<p>L Style</p>	<p>M Style</p>	<p>X (LED) Style</p>

### Terminal Options

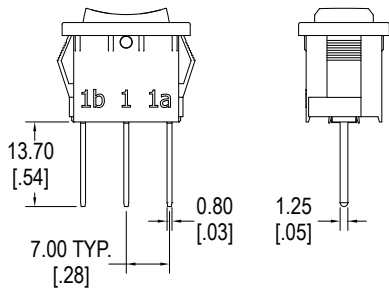
C



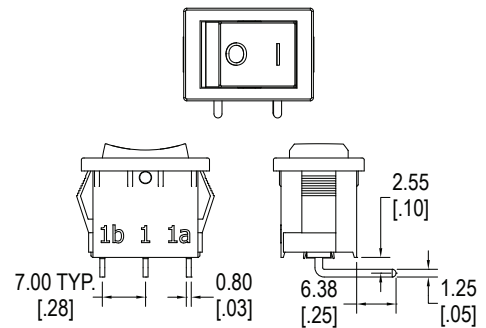
C with LED



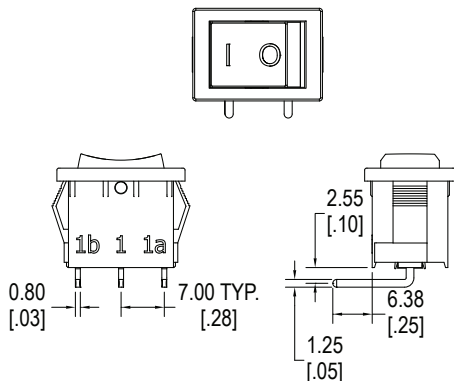
P



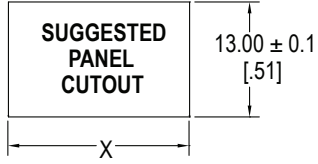
R



L



### Terminal Options



Panel Thickness	"X" Dimension (mm)
.75 ~ 1.25	19.2 ± .1
1.25 ~ 2.00	19.4 ± .1
2.00 ~ 3.00	19.8 ± .1

### LED Characteristics

LED Ratings		Color					Units
		R	G	Y	B	W	
Reverse Voltage	$V_R$	5	5	5	5	5	V
Forward Current (avg / peak)	$I_F$	30	30	30	30	30	mA
Reverse Current $V_R = 5V$	$I_R$	10	10	10	10	10	$\mu A$
Power Dissipation	$P_T$	56	46	56	72	76	mW
Forward Voltage (typ / max) $I_F = 20mA$	$V_F$	1.7 / 2.4	1.8 / 2.4	1.7 / 2.4	2.8 / 3.4	2.8 / 3.4	V
Wavelength at Peak Emmission, $I_F = 20mA$	$\lambda_p$	620 / 630	565 / 575	585 / 595	460 / 470	n/a	nm
Luminous Intensity, $I_F = 20mA$	LI	20 / 50	10 / 30	690 / 150	100 / 140	200 / 500	mcd
Viewing Angle	$\Theta$	50	70	50	120	70	deg

### Accessories

RA Rubber Boot, order separately

